



DA-H4A-DS

**HDMI 2.0 1x4 Distribution Amplifier with
Audio Breakout and
4K to 1080p Down-scaling**

All Rights Reserved

Version: DA-H4A-DS_2024V1.4

HDMI 2.0 1x4 Distribution Amplifier

Preface

Read this user manual carefully before using the product. Pictures shown in this manual are for reference only. Different models and specifications are subject to real product.

This manual is only for operation instruction, please contact the local distributor for maintenance assistance. The functions described in this version were updated by November 2022. In the constant effort to improve the product, we reserve the right to make functions or parameters changes without notice or obligation. Please refer to the dealers for the latest details.

FCC Statement

This equipment generates, uses and can radiate radio frequency energy and, if not installed and used in accordance with the instructions, may cause harmful interference to radio communications. It has been tested and found to comply with the limits for a Class B digital device, pursuant to part 15 of the FCC Rules. These limits are designed to provide reasonable protection against harmful interference in a commercial installation.

Operation of this equipment in a residential area is likely to cause interference, in which case the user at their own expense will be required to take whatever measures may be necessary to correct the interference.

Any changes or modifications not expressly approved by the manufacture would void the user's authority to operate the equipment.



SAFETY PRECAUTIONS

To ensure the best from the product, please read all instructions carefully before using the device. Save this manual for further reference.

- Unpack the equipment carefully and save the original box and packing material for possible future shipment.
- Follow basic safety precautions to reduce the risk of fire, electrical shock and injury to persons.
- Do not dismantle the housing or modify the module. It may result in electrical shock or burn.
- Using supplies or parts not meeting the products' specifications may cause damage, deterioration or malfunction.
- Refer all servicing to qualified service personnel.
- To prevent fire or shock hazard, do not expose the unit to rain, moisture or install this product near water.
- Do not put any heavy items on the extension cable in case of extrusion.
- Do not remove the housing of the device as opening or removing housing may expose you to dangerous voltage or other hazards.
- Install the device in a place with fine ventilation to avoid damage caused by overheat.
- Keep the module away from liquids.
- Spillage into the housing may result in fire, electrical shock, or equipment damage. If an object or liquid falls or spills on to the housing, unplug the module immediately.
- Do not twist or pull by force ends of the cable. It can cause malfunction.
- Do not use liquid or aerosol cleaners to clean this unit. Always unplug the power to the device before cleaning.
- Unplug the power cord when left unused for a long period of time
- Information on disposal for scrapped devices: do not burn or mix with general household waste, please treat them as normal electrical wastes.

Table of Contents

1. Product Introduction	1
1.1 Features	1
1.2 Packing List.....	2
1.3 Customer Service.....	2
2. Specification	3
3. Panel Description	5
3.1 Front Panel.....	5
3.2 Rear Panel	5
4. System Connection	6
5. DIP Switch Operation	7
5.1 EDID Management.....	7
5.2 HDCP Mode	8
6. Firmware Upgrade.....	8
7. Environment and recycle information	9
7.1 Disposal of electric and electronic devices EC Directive 2012/19/EU	9
7.2 Packaging recycling information.	9

1. Product Introduction

Thanks for choosing the one input to four output HDMI2.0 Distribution Amplifier. The Distribution Amplifier supports HDMI video resolution up to 4K@60Hz 4:4:4, 1080p 3D and multichannel audio formats. Besides passing EDID information from the display, there are multiple built-in EDID settings can be selected by the 4-pin DIP switch on the front panel. The Distribution Amplifier can de-embed digital stereo audio to one balanced analog audio output and one optical Toslink audio output to provide audio sources for existing audio systems.

The Distribution Amplifier supports 4K to 1080p down-scaling up to 4 outputs. Moreover, the Distribution Amplifier provides a Micro-USB port for convenient firmware upgrade.

1.1 Features

- Splits a single HDMI input to four HDMI outputs.
- Supports HDMI 2.0, 4K@60Hz 4:4:4, Dolby Vision.
- 18Gbps high bandwidth.
- HDMI input supports HDCP 2.2 and the outputs support HDCP Active or HDCP Passive mode.
- Supports video resolution down-scaling, the 4K input can be automatically degraded to 1080p output for compatibility with 1080p display.
- Built-in signal equalizer provides capability to use longer range HDMI cable.
- Up to 6 types of built-in EDIDs can be selected by DIP Switch.
- Balanced analog and Toslink optical audio outputs for de-embedded audio.
- Up to 6 units can be cascaded to distribute video signal to multiple video displays.
- CEC pass-through.
- Micro-USB port for convenient firmware upgrade.

HDMI 2.0 1x4 Distribution Amplifier

1.2 Packing List

- 1x HDMI 2.0 1x4 Distribution Amplifier
- 2x Mounting Ears with 4 Screws
- 4x Plastic Cushions
- 1x Power Adapter (5V DC 1A)
- 1x User Manual

Note: Please contact your distributor immediately if any damage or defect in the components is found.

1.3 Customer Service

TiGHT AV provide a limited warranty for the product within **five years** counting from date of purchase (The purchase invoice shall prevail).

For more information see TiGHT AV general Warranty Statement at <https://tightav.com/warranty-statement> or just scan the QR-code below.



HDMI 2.0 1x4 Distribution Amplifier

2. Specification

Video Input	
Input	(1) HDMI
Input Connector	(1) Female type-A HDMI
HDMI Input Resolution	Up to 4K@60Hz 4:4:4
HDMI Standard	2.0
HDCP Version	2.2, 1.x compliant
Video Output	
Output	(4) HDMI
Output Connector	(4) Female type-A HDMI
HDMI Output Resolution	Up to 4K@60Hz 4:4:4
HDMI Standard	2.0
HDCP Version	2.2, 1.x compliant
Audio	
Output	(1) AUDIO OUT, (1) SPDIF OUT
Output Connector	(1) 5-pin terminal block, (1) Toslink connector
HDMI Audio Format	LPCM 7.1 audio, Dolby Atmos®, Dolby® TrueHD, Dolby Digital® Plus, DTS: X™, and DTS-HD® Master Audio™ pass-through
DP Audio Format	8 channels LPCM, up to 24bit 192Khz, AC3, DTS
Analog L/R audio Format	PCM
Toslink Audio Format	PCM, Dolby Digital, DTS, DTS-HD
Max Output Level	2.0Vrms ± 0.5dB. 2V = 16dB headroom above -10dBV (316mV) nominal consumer line level signal
THD+N	<0.05% (-80dB), 20Hz ~ 20KHz bandwidth, 1KHz sine at 0dBFS level (or max level)
SNR	>80dB, 20Hz ~ 20KHz bandwidth
Crosstalk Isolation	>70dB, 10KHz sine at 0dBFS level (or max level before clipping)
L-R Level Deviation	<0.3dB, 1KHz sine at 0dBFS level (or max level before clipping)
Frequency Response Deviation	<±0.5dB 20Hz ~ 20KHz
Output Load Capability	1KΩ and higher (supports 10x paralleled 10KΩ loads)

HDMI 2.0 1x4 Distribution Amplifier

Stereo Channel Separation	>70dB@1KHz
Control	
Control Part	(1) EDID 4-pin DIP switch, (1) Micro-USB port
General	
Bandwidth	18Gbps
Operation Temperature	-10 ~ +55°C
Storage Temperature	-25 ~ +70°C
Relative Humidity	10% - 90%
Power Supply	Input:100V~240V AC; Output: 5V DC 1A
Power Consumption	4W(Max)
Dimension (W*H*D)	190mm x 20mm x 100mm
Net Weight	545g
Safety Compliance	FCC, CE
Environmental Compliance	RoHS, REACH, WEEE

Video Resolution Auto Down-scaling

The product supports video resolution auto down-scaling, the 4K input can be automatically degraded to 1080p output for compatibility with 1080p display, shown in the below chart.

#	Input			Output	
	Resolution	Refresh	Color Space	Downscale	1080p Specs
1	3840x2160	60	4:4:4	Support	1080p@60Hz 4:4:4
2	3840x2160	30	4:4:4	Support	1080p@30Hz 4:4:4
3	3840x2160	24	4:4:4	Support	1080p@24Hz 4:4:4
4	3840x2160	60	4:2:0	Support	1080p@60Hz 4:4:4
5	3840x2160	30	4:2:0	Support	1080p@30Hz 4:4:4
6	3840x2160	24	4:2:0	Support	1080p@24Hz 4:4:4
7	3840x2160	60	4:2:2	Not Support	N/A
8	3840x2160	30	4:2:2	Not Support	N/A
9	3840x2160	24	4:2:2	Not Support	N/A

HDMI 2.0 1x4 Distribution Amplifier

3. Panel Description

3.1 Front Panel



- ① **Power LED:** The LED illuminates red when power is applied.
- ② **INPUT LED:** The LED Illuminates when the video contains HDCP content, or blinks when the video has no HDCP content.
- ③ **OUT 1~OUT 4 LED:** The LED illuminates blue when there is HDMI output on the corresponding channel.
- ④ **EDID:** 4-pin DIP switch for EDID setting.
- ⑤ **FW:** Micro-USB port for firmware upgrade.

3.2 Rear Panel



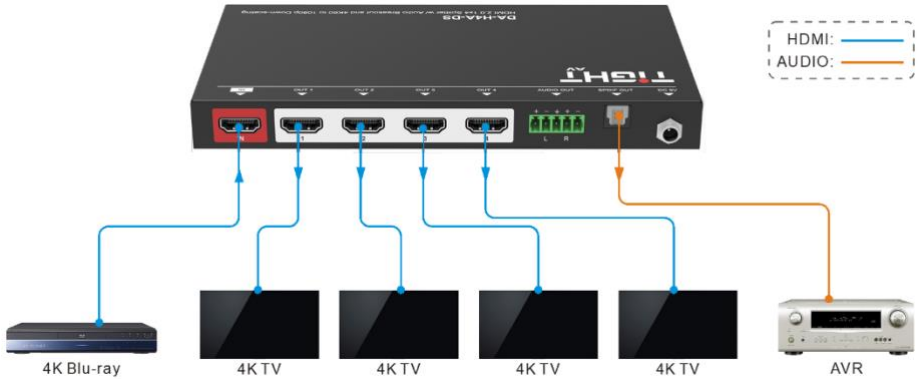
- ① **IN:** Type-A female HDMI input port to connect HDMI source.
- ② **OUT 1 ~ OUT 4:** Four Type-A female HDMI output port to connect HDMI displays.
- ③ **AUDIO OUT:** 5-pin terminal block for balanced audio output.
- ④ **SPDIF OUT:** Toslink connector for optical audio output.

HDMI 2.0 1x4 Distribution Amplifier

- ⑤ **DC 5V:** DC barrel port to connect a power adapter.

4. System Connection

The following diagram illustrates typical input and output connections that can be utilized with the Distribution Amplifier:



HDMI 2.0 1x4 Distribution Amplifier

5. DIP Switch Operation

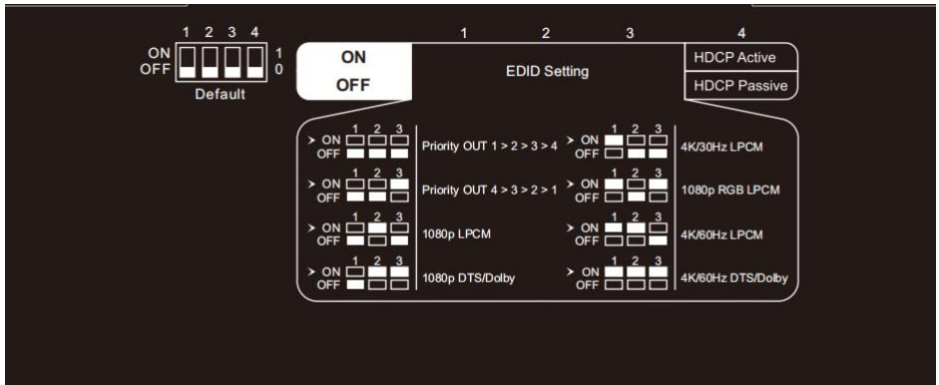
5.1 EDID Management

The Extended Display Identification Data (EDID) is used by the source device to match its video resolution with the connected display. By default, the source device obtains its EDID from the first connected display. Meanwhile, since the displays with different capabilities are connected to the Distribution Amplifier, the DIP switch on the front panel can be used to set the EDID to a fixed value to ensure the compatibility in video resolution.

The switch represents “0” when in the lower (**OFF**) position, and it represents “1” while putting the switch in the upper (**ON**) position.



Switch 1~3 are used for EDID setting. The DIP switch status and its corresponding setting are shown at the back of the product.



Switch Status	Video Resolution	Audio Format
000	Obtains EDID from the first detected display starting at HDMI output 1>2>3>4.	
001	Obtains EDID from the first detected display starting at HDMI output 4>3>2>1.	
010	1080p	LPCM
011	1080p	DTS/Dolby

HDMI 2.0 1x4 Distribution Amplifier

100	3840x2160@30Hz	LPCM
101	1920x1080@60Hz, RGB	LPCM
110	3840x2160@60Hz	LPCM
111	3840x2160@60Hz	DTS/Dolby

5.2 HDCP Mode

Put switch 4 on “**ON**” position to select **HDCP Active** mode, or to “**OFF**” for **HDCP Passive** mode.

Switch Status	Mode	HDCP
OFF (0)	Passive (Default)	Automatically follows the display's HDCP version.
ON (1)	Active	Automatically removes the HDCP encryption of HDMI output for broader video compatibility.

6. Firmware Upgrade

Please follow the below steps to upgrade firmware by the Micro-USB port:

- 1) Connect the Distribution Amplifier to the PC with USB cable.
- 2) Power on the Distribution Amplifier, and then the PC will automatically detect a U-disk named of “BOOTDISK”.
- 3) Double-click to open the U-disk, a file named of “READY.TXT” will be showed.
- 4) Copy the latest upgrade file (.bin) to the “BOOTDISK” U-disk directly.
- 5) If the filename “READY.TXT” automatically turns to “SUCCESS.TXT”, the firmware was upgraded successfully. If the firmware upgrade failed, please check the file (.bin) and then follow the above procedure to operate again.
- 6) Remove the USB cable after firmware upgrade.




7. Environment and recycle information



7.1 Disposal of electric and electronic devices EC Directive 2012/19/EU

This product is not to be treated as regular household waste but must be returned to a collection point for recycling electric and electronic devices. Further information is available from your municipality, your municipality's waste disposal services, or the retailer where you purchased your product.

7.2 Packaging recycling information.

	SCATOLA CORRUGATED PAPER BOX	RACCOLTA CARTA MIXED PAPER AND CARD
	BUSTA PER ACCESSORI ACCESSORIES BAG	RACCOLTA CARTA MIXED PAPER AND CARD
	PIATTINA ANIMATA CABLE TIE	RACCOLTA CARTA MIXED PAPER AND CARD

*Verifica le disposizioni del tuo comune
Check the regulations of your municipality*

Note: This manual is recycled as paper (mixed paper and card).

